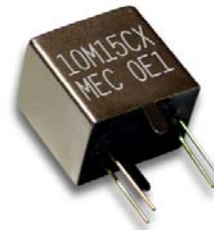


Dip Type 6 poles [49T 3 pcs]
15.0 * 12.0 * 15.0 mm



RoHS Compliance

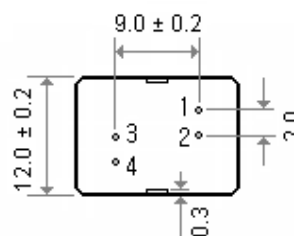
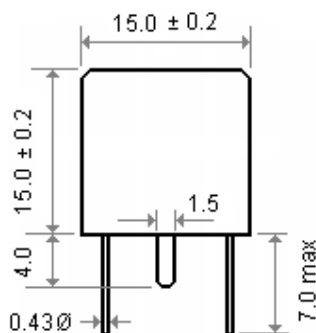
Features

- Thru - Hole Type (standard frequency 10.700 MHz); available frequency range (10.695 ~ 10.800 MHz)

General Specifications

Parameters	Electrical Spec.
Center Frequency	10.700 MHz
Crystal Cut (No. of poles)	AT-Cut , 6 poles
Mode of Oscillation	Fundamental Mode
Pass Band Width	± 15 KHz (min.) [at -3 dB]
Stop Band Width	± 45 KHz (max.) [at -60 dB]
Ripple	2.0 dB (max.)
Insertion Loss	3.0 dB (max.)
Guaranteed Attenuation	80 dB (min.) [-910 \pm 10 kHz]
Terminating Impdace	5500 Ω // -1.0 pF [Cc : 5.0 pF]
Operating Temperature	- 20°C to 70°C
Storage Temperature	- 50°C to 100°C
Aging	± 2 ppm per year (max.)

General Specifications (Unit : mm)



Pin 1 : Output
 Pin 2 : Ground
 Pin 3 : Ground
 Pin 4 : Input

Mercury www.mercury-crystal.com